



Rechargeable Bacteria and Biofilm Detection Lamp

USER MANUAL



Thank you for purchasing the EIT Bactiscan™ rechargeable bacteria and biofilm detection lamp, our latest innovation offering an all-in-one solution that combining a high performance lamp in a single lightweight, IP65 rated compact unit.

Important: Please read these instructions carefully to ensure the safe and effective use of this product.

Important: For those who cannot see variations in colour, please seek advice before use.

With Bactiscan's™ unique wave alternating UV system, Bactiscan™ enables food processors to immediately isolate Biofilms, mould and bacteria such as salmonella and E.coli and many other contaminants are easily located and identified with Bactiscan™ which makes the remediation job much faster and therefore more cost effective.

These contaminants are often undetectable using other methods such as white light and UV lamps. With Bactiscan™ you can light up the entire surface and get an immediate result, so within seconds you can pick things up that would take hours with any other method.

Handheld bacteria and biofilm detection system

Environmentally friendly wave altering UV to quickly identify areas harbouring bacterial contaminants such as E.coli, listeria and salmonella which are often missed under standard white light or UV lamp.



Normal View

Item looks clean and normal under white light or standard UV



Bactiscan™ View

Clearly reveals contamination

Index

Page 3 Parts

Page 4 Charging

Page 5 Operating the Bactiscan™
Important warnings

Page 6 Camera Guide

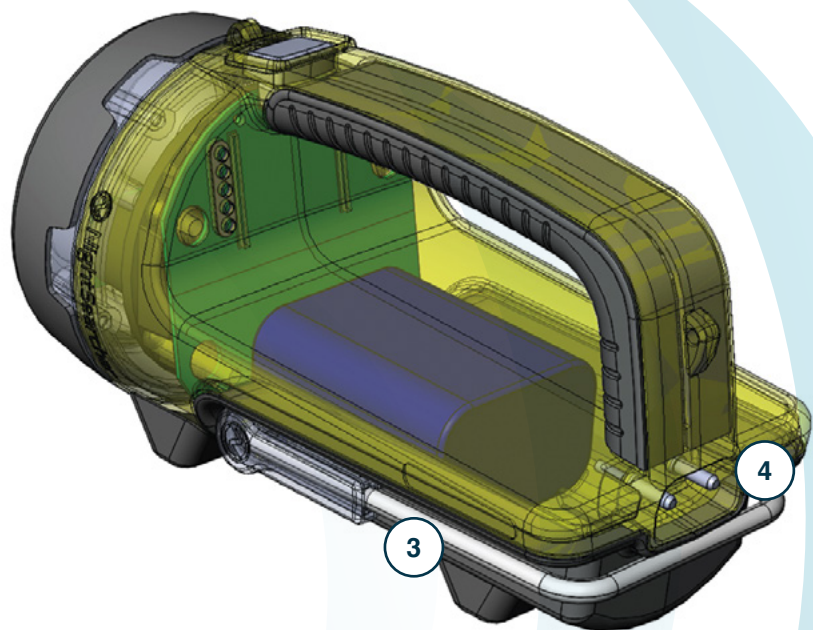
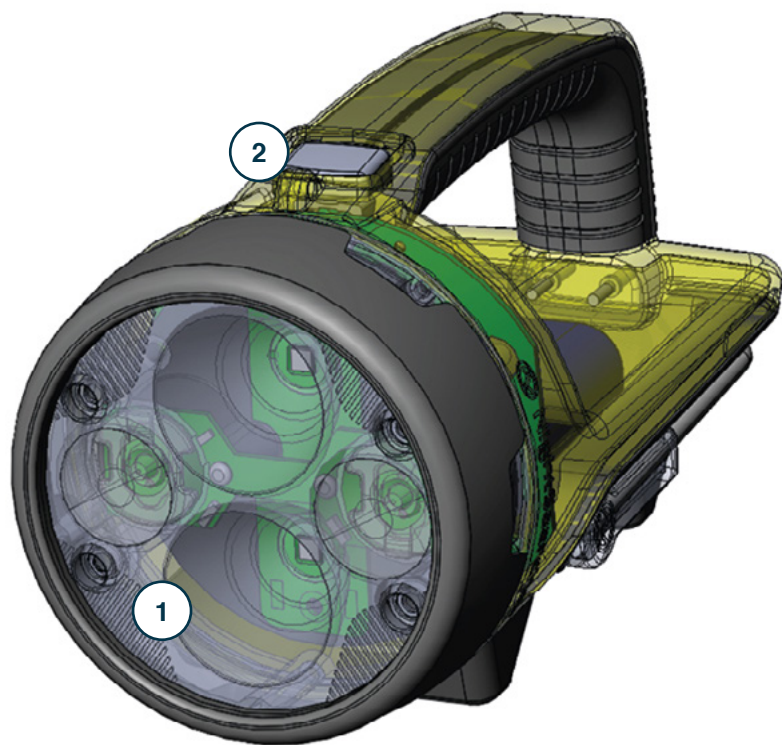
Page 13 Mounting the charging base

Page 14 Specification

Page 15 Safe disposal of waste electrical products
Warranty terms

Parts

- 1 Lens
- 2 On/Off Button
- 3 Adjustable stand
- 4 Charging base
- 5 DC charger



Charging



1

Slide the Bactiscan™ inside the charging base, push until it slots in the back and connects with the charging ports.



2

Connect the charger lead into the input socket at the back of the charging base.



3

Plug the charger into a suitable socket outlet. Turn switch on. The indicator on the charger will illuminate red when charging and green when fully charged.



4

To release the Bactiscan™ from the charging base, hold and pull the release levers towards you, use your thumb to push the Bactiscan™ away from the charging slot as shown in picture.



5

Once the Bactiscan™ is released slide the lamp out of the charging base.

The Bactiscan™ unit is ready to be used.

Bactiscan uses smart battery technology. When the battery is fully charged the battery will fall into sleep mode and will maintain a full charge via trickle charge. It is safe to leave Bactiscan™ plugged in whilst in its cradle.

Please note: The battery will reach optimum performance after 5 complete discharge/charge cycles.

Operating the Bactiscan™

Bactiscan™ illuminates a surface via 4 separate UV lights. These lights are UV-A type and are safe for short use. It is always recommended that the user wear eye protection (not supplied) when operating Bactiscan™. To switch ON, simply hold the grey button and the Bactiscan™ will turn on. To turn the lamp OFF, release the grey button.



Bactiscan is available in two formats, Bactiscan™ and BactiscanPRO™

BactiscanPRO™ utilises still photography and video capture to record contaminant clusters on a surface. These files are uploaded to internal Quality System and will form the basis of a documented Corrective Action.

BactiscanPRO™ is fitted with AKASO V50 4K/30fps and 20MP image action camera to capture every detail of your audit. Built in Wi-Fi allows you to connect the camera to your phone or tablet, simply download the AKASO GO app.

CAUTION

Modifications not expressly approved by EIT International may void the users authority to operate the equipment. The removal of any panels or components, or to open the sealed Bactiscan casing will render the equipment damaged and will void any Warranty in place (see Page 15 – Warranty) . Damaged Bactiscan unit through the malice of any third party will render the equipment written-off and the user will be liable for all costs associated for repair or replacement of the unit.

UV Light Bulbs

Bactiscan™ and BactiscanPRO™ utilise UV-A and UV-B light bulbs which are fluorescent tubes with a dark blue or purple filter to remove other parts of the spectrum and leave just UV light.

UV (ultraviolet) light bulbs are often referred to as black light bulbs, or BLB (blacklight blue) bulbs. UV lights feature small wavelengths that are measured in nanometres (nm). Nanometres often affect the UV light bulb, with the bulb emitting either UVA, UVB or UVC UV radiation. None of these bulbs can penetrate human skin and are safe to use.

EIT consider the health and safety of our customers to be of the utmost importance and as a matter of good practice we suggest that users wear protective eyewear when operating Bactiscan™ and Bactiscan PRO™ equipment.

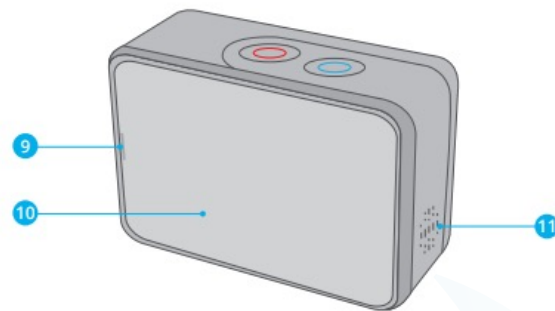
Bactiscan Pro – Camera Guide

Contents

Getting Started	7
MICROSD CARDS	8
To Power On:	8
To Power Off:	8
SWITCHING MODE	8
To Switch Mode:	8
To Exit Mode:	8
TURNING ON / OFF Wi-Fi	8
To turn on Wi-Fi	8
To turn off Wi-Fi	8
SET DATE AND TIME	8
Camera Modes	9
Video Mode	9
PHOTO MODE	9
Playback Mode	9
Setting Mode	9
Connecting to the APP	10
Viewing your Content	11
VIEWING VIDEOS AND PHOTOS ON YOUR V50 PRO	11
Deleting Videos and Photos form your Camera	11
Downloading Content	12
OFFLOADING YOUR CONTENT TO A COMPUTER	12
OFFLOADING YOUR CONTENT TO SMARTPHONE	12



Getting Started



- | | |
|----------------------------|------------------------|
| 1. Power / Mode Button | 8. Lens |
| 2. Shutter / Select Button | 9. Operating Indicator |
| 3. MIC | 10. Touch Screen |
| 4. Wifi Indicator | 11. Speaker |
| 5. Micro HDMI Port | 12. Tripod Hole |
| 6. MicroSD Slot | 13. Battery Door |
| 7. Mini USB Port | |

Note: Camera does not record sound when it is in the waterproof case.

MICROSD CARDS

Use brand name memory cards that meet these requirements:

- microSD, microSDHC, or microSDXC
- Class 10 or UHS-III rating
- Capacity up to 64GB (FAT32)

Note:

- 1 Please format the microSD card first in this camera before using. To keep your microSD card in good condition, reformat it on a regular basis. Reformatting erases all of your content, so be sure to offload your photos and videos first.
- 2 FAT32 format microSD card stops recording when the storage of each file is over 4GB and starts to record again on a new file. POWERING ON + OFF

To Power On:

Press and hold the Mode button for three seconds. The camera beeps while the camera status light is on. When information appears on the LCD display or the camera status screen, your camera is on.

To Power Off:

Press and hold the Mode button for three seconds. The camera beeps while the camera status light is off.

SWITCHING MODE

To Switch Mode:

Turn on the camera, tap Mode Shift icon or press Mode button to switch mode.

To Exit Mode:

Press Mode button to exit mode.

TURNING ON / OFF Wi-Fi

To turn on Wi-Fi

Turn on camera, swipe down from the top of the screen with your finger or tap shortcut key to access to menu. Then tap Wi-Fi icon to turn on Wi-Fi. You can also enter General Setting to turn on Wi-Fi.

To turn off Wi-Fi

Press and hold Shutter button for 5 seconds to turn off Wi-Fi.

SET TIME AND DATE

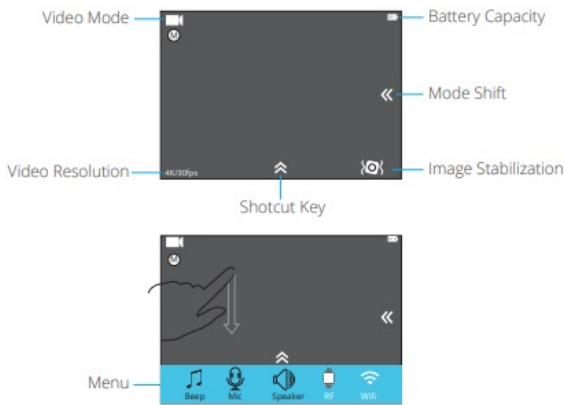
Tap right hand arrow. Go to Setup. Go to General. Scroll down to Date & Time. Adjust Date and tap Done. Adjust Time and tap Done.

Camera Modes

There are 4 modes:
Video, Photo, Playback and Setting.

Video Mode

Video Mode is the default mode when you turn on the camera. In Video Mode, press Shutter button, the camera starts recording video. Press Shutter button to stop recording video.



Playback Mode

Press Mode button twice to switch to Playback Mode.

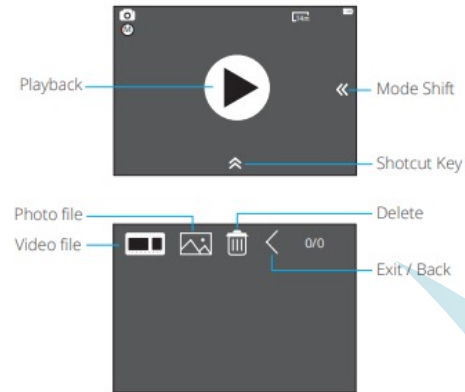


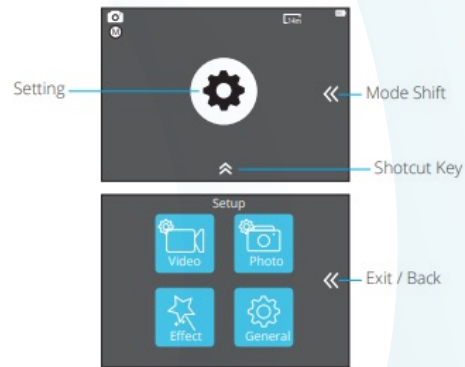
PHOTO MODE

Press Mode button once to switch to Photo Mode after you turn on camera. In Photo Mode, press Shutter button, the camera takes a photo.



Setting Mode

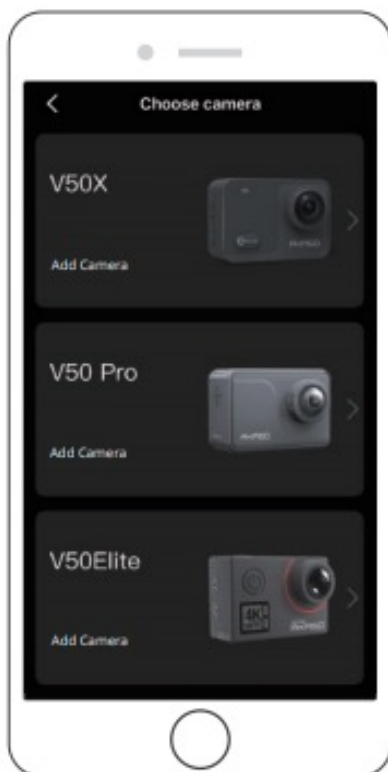
Press Mode button three times to switch to Setting Mode.



Connecting to the APP

Please download and install the AKASO GO app on the App Store or Google Play first. The AKASO GO app lets you control your camera remotely using a smartphone or tablet. Features include camera control, live preview, playback, download and settings.

- 1 Turn on the camera, press the Up button to turn on the Wi-Fi. The Wi-Fi name and password are shown on the camera screen.
- 2 Connect the Wi-Fi “V50 PRO” and enter the password on your smartphone WLAN setting.
- 3 Open the AKASO GO app, tap “+” icon on the upper right corner. Add “V50 Pro” and click the “Live Preview”.
- 4 Your camera will be connected with the AKASO GO app



Viewing your Content


You can play back your content on the camera's LCD display, your computer, TV, or smartphone/tablet.

You can also play back content by inserting the microSD card directly into a device, such as a computer or compatible TV. With this method, playback resolution depends on the resolution of the device and its ability to play back that resolution.



VIEWING VIDEOS AND PHOTOS ON YOUR V50 PRO

- 1 Enter Playback mode. If your microSD card contains a lot of content, it might take a minute for it to load.
- 2 Tap video or photo file icon.
- 3 Tap any video or photo file.
- 4 Tap Forward or Backward icon to playback video or photo files.

Deleting Videos and Photos from your Camera

- 1 Enter playback mode. If your microSD card contains a lot of content, it might take a minute for it to load.
- 2 Tap the video or photo file icon.
- 3 Tap the video or photo file you want to delete.
- 4 Tap . The selected file will be deleted.

You can also try the following steps to delete video and photo on your Camera.

- 1 Enter playback mode.
- 2 Tap the video or photo file icon.
- 3 Tap .
- 4 Tap the file you want to delete.
- 5 Tap  again. The screen shows "Delete This File? Yes/No".
- 6 Tap "Yes". The selected file will be deleted.

Downloading Content

OFFLOADING YOUR CONTENT TO A COMPUTER

To play back your video and photos on a computer, you must first transfer these files to a computer. Transferring also frees up space on your microSD card for new content. To offload files to a computer using a card reader(sold separately) and your computer's file explorer, connect the card reader to the computer, then insert the microSD card. You can then transfer files to your computer or delete selected files on your card. Note that you must use a card reader to offload photos or audio files.

OFFLOADING YOUR CONTENT TO SMARTPHONE

Open the AKASO GO App. Connect the camera with the App.

Tap Playback icon to see all the videos and photos.

Select the photo or video you want to download and then tap the More icon at the right upper corner and choose Download.

Note:

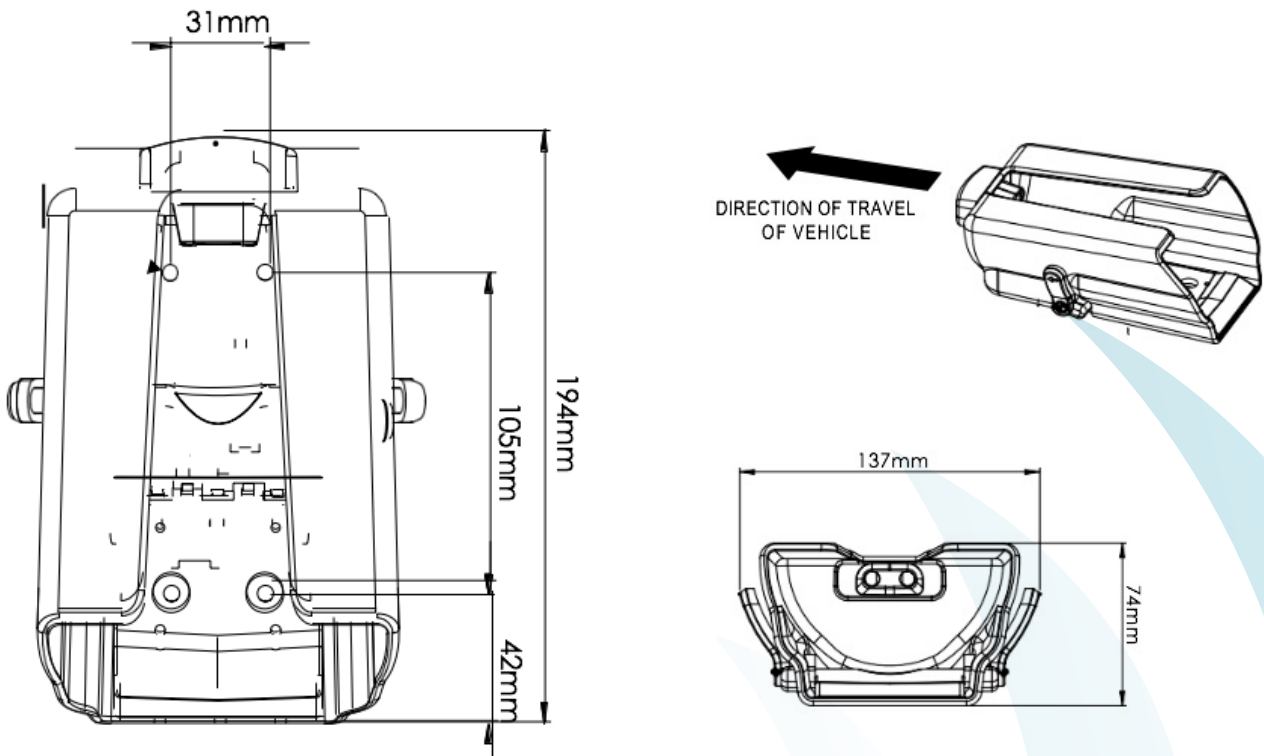
- 1 If you cannot offload videos or photos to iPhone or iPad, please enter Setting → Privacy → Photos, find "AKASO GO" and select "Read and Write".
- 2 iPhone and iPad do not allow you to download 4K or 2.7K video via App, please offload 4K or 2.7K videos via card reader.

Mounting the charging base

The Bactiscan™ lamp is supplied with a charging base, providing a convenient way to charge it. The base can be used flat on a desk, or fixed on a wall or a vehicle. The charging base has four mounting holes, measurements are shown in Figure 1. Make sure the M5 fixings screws used to mount the charging base, are strong enough to support the weight of the Bactiscan™. Take care not to over tighten the fixings and mount on a flat/level surface, so the charge base isn't distorted or damaged.

Figure 1

Holder may be mounted on either a horizontal or vertical panels.
Mount using four M5 fixing screws



Important Warnings

- Read manual before use
- Always use the charger supplied, never use a damaged charger or alternative charger
- Disconnect from any power sources and switch off, before performing any routine cleaning
- Leave servicing to a qualified person. In case of any problems or questions please contact your local Authorised Bactiscan Reseller or contact EIT direct at support@eit-international.com
- Do not shine the light directly into people's eyes, as it may damage their eyesight
- Keep out of reach of children

Specification



	Bactiscan	BactiscanPRO
Power On	1h 30min	1h 30min
Charge Time	6hrs 30mins	6hrs 30mins
Warranty	12 Months	12 Months
User Manual	Yes, On-Line	Yes, On-Line
UV Light Type	UV-A	UV-A
UV Bulb Life	6,000 hrs	6,000 hrs
IP Rating	IP65	
Battery	7.4V 6.6Ah Li-ion	7.4V 6.6Ah Li-ion
Impact Resistance	1.5 Metres	
Charge Base	Yes	Yes
Dimensions	250x125x120 (mm)	250x125x160 (mm)
Carry Case Dimensions	357x470x176 (mm)	357x470x176 (mm)
Weight	1.0 KG	1.1 KG
Stills Camera	No	Yes
Video Capture	No	Yes
Camera Battery	No	1x 1350mAh

Safe disposal of waste electrical products and batteries

If at any time, you need to dispose of this product or parts of this product: please note that waste electrical products and batteries should not be disposed of with ordinary household waste. Recycle where facilities exist. Check with your local authority for recycling advice. Alternatively, EIT International is happy to take receipt of this product at end-of-life and will recycle it on your behalf.



Warranty

All EIT International products have a 1-year standard warranty on all manufacturing defects and 1-year warranty on all rechargeable batteries from the date of purchase.

EIT International warrants this product free from defects in material and workmanship for a period of 1 year from the date of purchase. This warranty does not cover damage caused by misuse or abuse, accident, the attachment of any unauthorised accessory, alteration to the product, or any other conditions whatsoever that are beyond the control of EIT International.



EIT International
Biopharma House
Winnall Valley Road
Winnall
Winchester
United Kingdom
SO23 0LD

 **+44(0) 1962 841092**
 **www.eit-international.com**
 **EIT International**